

## **Tapworks Northstar Commercial Water Softeners Heavy Duty Series – 2" Valve**

**Cut costs and save energy  
with softened water**

**By eliminating hard water you gain:**

- **Savings on your energy bills**
- **Higher energy efficiency**
- **Lower emissions**
- **Reduced equipment maintenance costs**
- **Less risk of equipment failure due to scale build up**



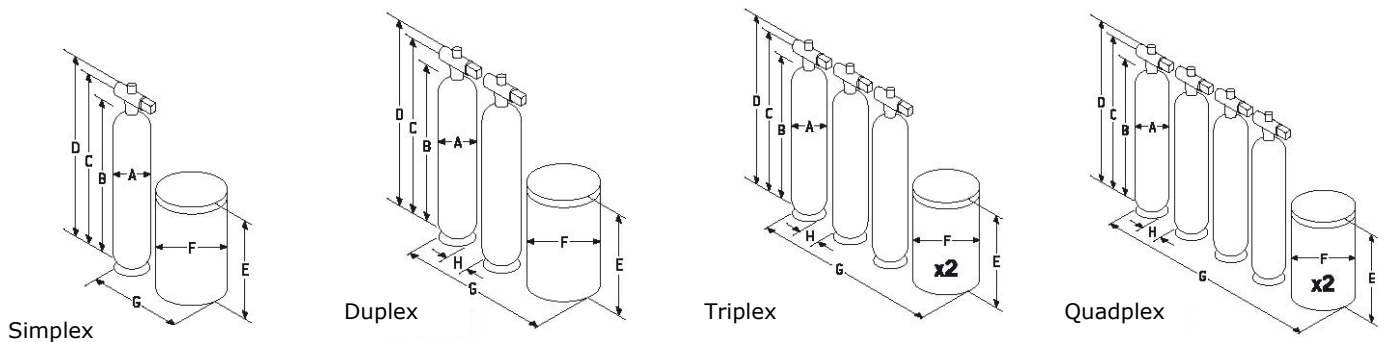
### **Features:**

- All models available as SIMPLEX, DUPLEX, TRIPLEX or QUADPLEX configurations – all run from a single controller
- Easy low cost upgrade – if expansion occurs just add units to the existing plant
- Controller allows service standby, service parallel and proportional salting in multiple tank systems – The controller can be set to maintain a desired efficiency or changed to auto adjusting, salt efficient demand or boiler operation.
- Genius Chip™ control system – the ultimate in salt and water efficiency
- Low voltage electronics – safe and easy to install
- Automatic bypass during regeneration
- High capacity resin – for longer life and improve efficiency
- Self cleaning distributors
- Exceptional flow rates
- Heavy duty control valve – with fewer moving parts to provide the *'Reliability you can Trust'*

## Specifications

Model	PA 102	PA 132	PA 162	PA 192	PA 252	PA 322
Resin (l)*	85	113	142	170	226	283
Pressure range (min/max - Bar)	2.0 - 8.65	2.0 - 8.65	2.0 - 8.65	2.0 - 8.65	2.0 - 8.65	2.0 - 8.65
Max water temp °C	4 - 49	4 - 49	4 - 49	4 - 49	4 - 49	4 - 49
Connection Size (inches BSP)	2	2	2	2	2	2
Water used per regeneration M <sup>3</sup>	0.57	0.63	0.69	1.03	1.14	1.26
Salt storage (approx) kg						
Simplex	317	317	454	454	454	900
Duplex	317	317	454	454	454	900
Triplex	2 x 317	2 x 317	2 x 454	2 x 454	2 x 454	2 x 900
Quadplex	2 x 317	2 x 317	2 x 454	2 x 454	2 x 454	2 x 900
Electrical Rating	24 V - 50 Hz	24 V - 50 Hz	24 V - 50 Hz	24 V - 50 Hz	24 V - 50 Hz	24 V - 50 Hz

\* Duplex x 2, Triplex x 3 , Quadplex x 4



## Dimensions (mm)

Model	A	B	C	D	E	F	G	H
Simplex	Resin Tank	Resin Tank height	Inlet-Outlet height	Overall height	Brine tank height	Brinck Tank	mm	mm
PA 102 / PA 132	432	1474	1700	1850	1250	700	1250	
PA 162	432	1829	2060	2200	1190	815	1365	
PA 192 / PA 252 PA322	610	1829	2060	2200	1190	815	1575	
Model Duplex	A	B	C	D	E	F	G	
PA 102 / PA 132	432	1474	1700	1850	1250	700	2080*	250
PA 162	432	1829	2060	2200	1190	815	2310*	250
PA 192 / PA 252 PA322	610	1829	2060	2200	1190	815	2535*	250
Model Triplex	A	B	C	D	E	F	G	
PA 102 / PA 132	432	1474	1700	1850	2 x 1250	2 x 700	3720*	250
PA 162	432	1829	2060	2200	2 x 1190	2 x 815	3950*	250
PA 192 / PA 252 PA322	610	1829	2060	2200	2 x 1190	2x 815	4460*	250
Model Quadplex	A	B	C	D	E	F	G	
PA 102 / PA 132	432	1474	1700	1850	2 x 1250	2 x 700	4410*	250
PA 162	432	1829	2060	2200	2 x 1190	2 x 815	4640*	250
PA 192 / PA 252 PA322	610	1829	2060	2200	2 x 1190	2 x 815	5320*	250

\*includes 155mm between tanks