

1" valve water softeners

CAPACITIES

31525-70S	MODES	MAX		EFFICIENCY		MIN		SIMPLEX TOTAL CAPACITY
	Total capacity / salt dose	Litres	Salt kg	Litres	Salt kg	Litres	Salt kg	
	200ppm hardness	22,977	10.9	19,740	7.3	11,974	3.6	
	300ppm hardness	15,318	10.9	13,160	7.3	7,983	3.6	
	400ppm hardness	11,488	10.9	9,870	7.3	5,987	3.6	

31526-70D	MODES	MAX		EFFICIENCY		MIN		DUPLEX TOTAL CAPACITY
	Total capacity / salt dose	Litres	Salt kg	Litres	Salt kg	Litres	Salt kg	
	200ppm hardness	45,954	21.8	39,480	14.6	23,948	7.2	
	300ppm hardness	30,636	21.8	26,320	14.6	15,966	7.2	
	400ppm hardness	22,976	21.8	19,740	14.6	11,974	7.2	

31533-130S	MODES	MAX		EFFICIENCY		MIN		SIMPLEX TOTAL CAPACITY
	Total capacity / salt dose	Litres	Salt kg	Litres	Salt kg	Litres	Salt kg	
	200ppm hardness	42,718	21.8	36,240	14.5	23,300	7.3	
	300ppm hardness	28,478	21.8	24,160	14.5	15,534	7.3	
	400ppm hardness	21,359	21.8	18,120	14.5	11,650	7.3	

31534-130D	MODES	MAX		EFFICIENCY		MIN		DUPLEX TOTAL CAPACITY
	Total capacity / salt dose	Litres	Salt kg	Litres	Salt kg	Litres	Salt kg	
	200ppm hardness	85,436	43.6	72,480	29	46,600	14.6	
	300ppm hardness	56,956	43.6	48,320	29	31,068	14.6	
	400ppm hardness	42,718	43.6	36,240	29	23,300	14.6	

31549-320S	MODES	MAX		EFFICIENCY		MIN		SIMPLEX TOTAL CAPACITY
	Total capacity / salt dose	Litres	Salt kg	Litres	Salt kg	Litres	Salt kg	
	200ppm hardness	106,794	54.5	90,613	36.4	58,251	18.2	
	300ppm hardness	71,196	54.5	60,409	36.4	38,834	18.2	
	400ppm hardness	53,397	54.5	45,306	36.4	29,126	18.2	

31550-320D	MODES	MAX		EFFICIENCY		MIN		DUPLEX TOTAL CAPACITY
	Total capacity / salt dose	Litres	Salt kg	Litres	Salt kg	Litres	Salt kg	
	200ppm hardness	213,588	109	181,226	72.8	117,042	36.4	
	300ppm hardness	142,392	109	120,818	72.8	77,668	36.4	
	400ppm hardness	106,794	109	90,612	72.8	58,252	36.4	

PEAK FLOW

Maximum flow rate figures are based on single valve outputs. For higher flow rates use a duplex or see our 2" range.

OPERATIONAL FLOW RATE* LT/MIN PER VESSEL

Model	19	38	57	76	95	114	132	151
-70	0.18	0.46	0.82	1.27				
-130	0.10	0.28	0.54	0.88	1.29	1.78		
-320	0.08	0.24	0.48	0.78	1.20	1.61	2.14	

PRESSURE LOSS IN BAR

- Designed for continuous flow in this zone
- Operate systems under intermittent conditions in this zone
- Unsuitable



SPECIFICATION

	31525-70S	31526-70D	31533-130S	31534-130D	31549-320S	31550-320D
Total resin capacity	57	114	113	226	283	566
Water used per regeneration (ltrs)	410	410	680	680	1,140	1,140
Salt storage (kg)	154	154	317	317	454	454
Pressure range (Bar)	2.00 min – 8.65 max					
Min / max water temp °C	2 / 38					
Min / max ambient temp °C	2 / 66					
Connection size	1" BSP					
Electrical rate	24v / 50Hz					

* Data obtained from tests run by the University Of Minnesota St. Anthony Falls Engineering Lab and is based on a non-fouled filter. All specifications listed are for SINGLE unit operation.

2" valve water softeners

CAPACITIES

30184-132S	MODES		MAX		EFFICIENCY		MIN		SIMPLEX TOTAL CAPACITY
	Total capacity / salt dose		Litres	Salt kg	Litres	Salt kg	Litres	Salt kg	
	200ppm hardness		42,718	21.8	36,245	14.5	23,300	7.3	
	300ppm hardness		28,478	21.8	24,163	14.5	15,534	7.3	
	400ppm hardness		21,359	21.8	18,123	14.5	11,650	7.3	

30185-132D	MODES		MAX		EFFICIENCY		MIN		DUPLEX TOTAL CAPACITY
	Total capacity / salt dose		Litres	Salt kg	Litres	Salt kg	Litres	Salt kg	
	200ppm hardness		85,436	43.6	72,490	29	46,600	14.6	
	300ppm hardness		56,956	43.6	48,326	29	31,068	14.6	
	400ppm hardness		42,718	43.6	36,246	29	23,300	14.6	

30192-192S	MODES		MAX		EFFICIENCY		MIN		SIMPLEX TOTAL CAPACITY
	Total capacity / salt dose		Litres	Salt kg	Litres	Salt kg	Litres	Salt kg	
	200ppm hardness		106,794	54.5	90,613	21.8	58,251	18.2	
	300ppm hardness		71,196	54.5	60,409	21.8	38,834	18.2	
	400ppm hardness		53,397	54.5	45,306	21.8	29,126	18.2	

30193-192D	MODES		MAX		EFFICIENCY		MIN		DUPLEX TOTAL CAPACITY
	Total capacity / salt dose		Litres	Salt kg	Litres	Salt kg	Litres	Salt kg	
	200ppm hardness		213,588	109	181,226	43.6	116,502	36.4	
	300ppm hardness		142,392	109	120,818	43.6	77,668	36.4	
	400ppm hardness		106,794	109	72,480	43.6	58,252	36.4	

PEAK FLOW

Maximum flow rate figures are based on single valve outputs. For higher flow rates use a duplex.

Model	OPERATIONAL FLOW RATE* LT/MIN PER VESSEL									
	38	76	114	151	189	227	265	303	341	379
	-132	0.14	0.31	0.52	0.76	1.07	1.38			
-192	0.07	0.21	0.35	0.52	0.73	0.97	1.24	1.52	1.80	

PRESSURE LOSS IN BAR

- Designed for continuous flow in this zone
- Operate systems under intermittent conditions in this zone
- Unsuitable

SPECIFICATION

	30184-132S	30185-132D	30192-192S	30193-192D
Total resin capacity	113	226	170	340
Water used per regeneration (ltrs)	630	630	1,260	1,260
Salt storage (kg)	317	317	454	454
Pressure range (Bar)	2.00 min – 8.65 max			
Min / max water temp °C	2 / 38			
Min / max ambient temp °C	2 / 66			
Connection size	2" BSP			
Electrical rate	24v / 50Hz			

* Data obtained from tests run by the University Of Minnesota St. Anthony Falls Engineering Lab and is based on a non-fouled filter. All specifications listed are for SINGLE unit operation.



Dimensions (mm)

1" VALVE WATER SOFTENERS

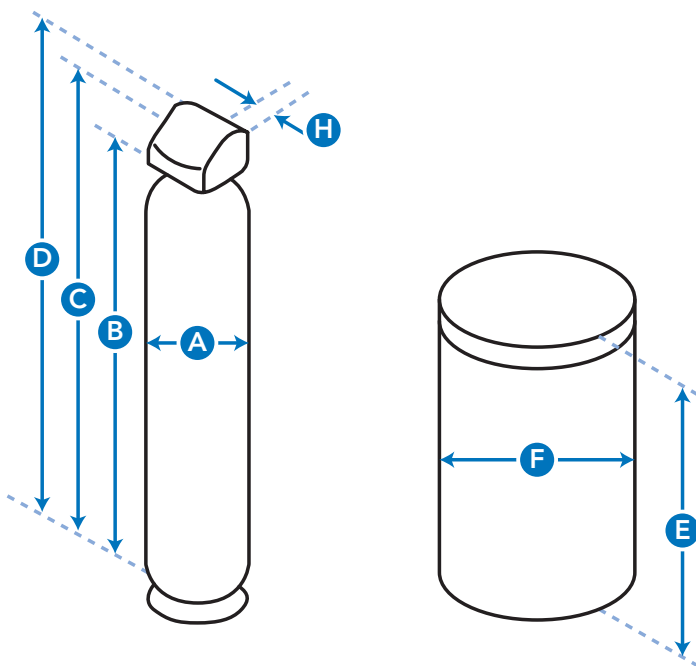
Model	A Resin tank diameter	B Resin tank height	C Inlet-outlet height	D Overall height	E Brine tank height	F Brine tank diameter	G Unit width	H Valve centre lines
SIMPLEX								
31525-70S	305	1,372	1,475	1,620	870	620	-	96.5
31533-130S	432	1,474	1,588	1,734	1,250	700	-	
31549-320S	610	1,804	2,027	2,172	1,190	815	-	
DUPLEX								
31526-70D	305	1,372	1,475	1,620	1,250	700	765*	96.5
31534-130D	432	1,474	1,588	1,734	1,190	815	1,019*	
31550-320D	610	1,804	2,027	2,172	1,190	815	1,375*	

2" VALVE WATER SOFTENERS

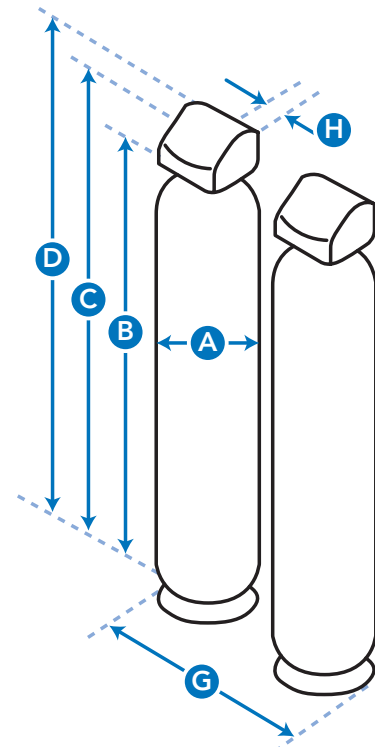
Model	A Resin tank diameter	B Resin tank height	C Inlet-outlet height	D Overall height	E Brine tank height	F Brine tank diameter	G Unit width	H Valve centre lines
SIMPLEX								
30184-132S	432	1,474	1,700	1,850	1,250	700	-	250
30192-192S	610	1,829	2,060	2,200	1,190	815	-	
DUPLEX								
30185-132D	432	1,474	1,700	1,850	1,250	700	1,019*	250
30193-192D	610	1,829	2,060	2,200	1,190	815	1,375*	

* Includes 155mm between tanks.

SIMPLEX PLUS 1 BRINE TANK



DUPLEX PLUS 1 BRINE TANK



Brine tank recommended to site within 1m of resin tank.